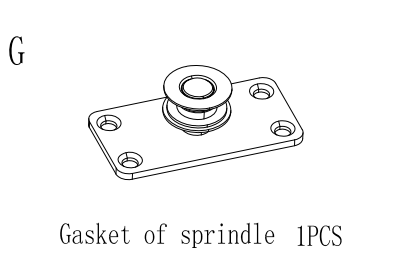
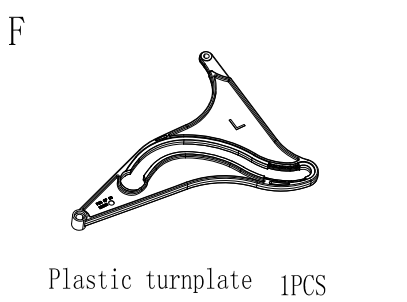
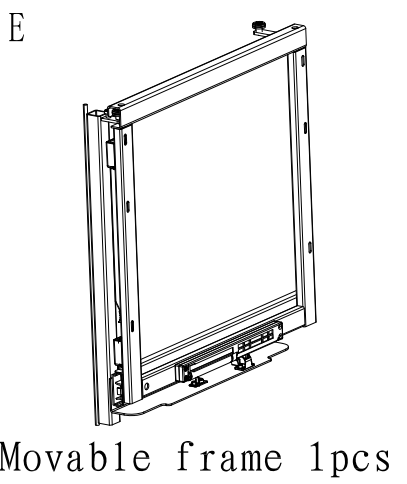
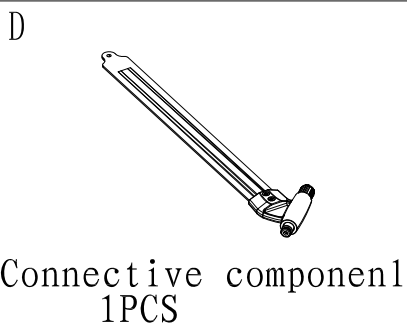
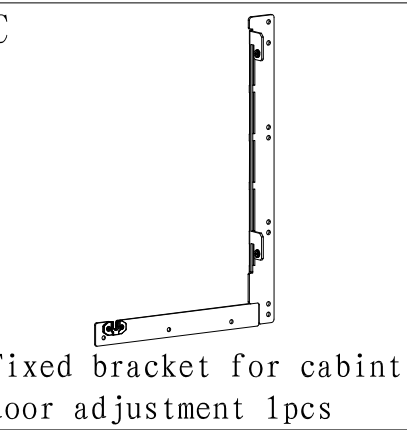
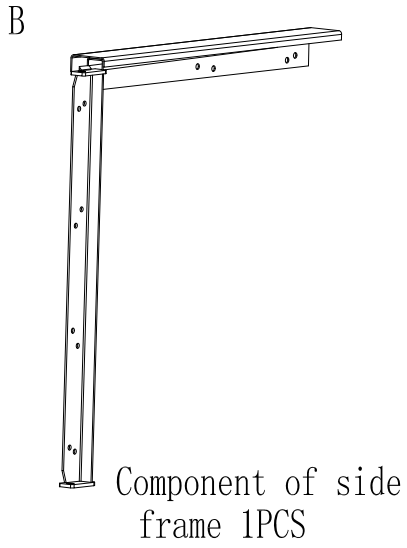
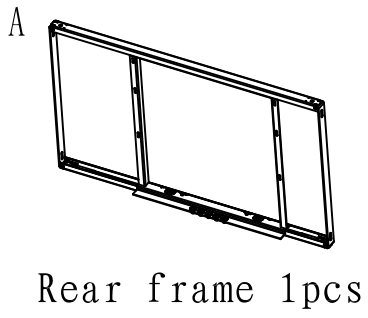
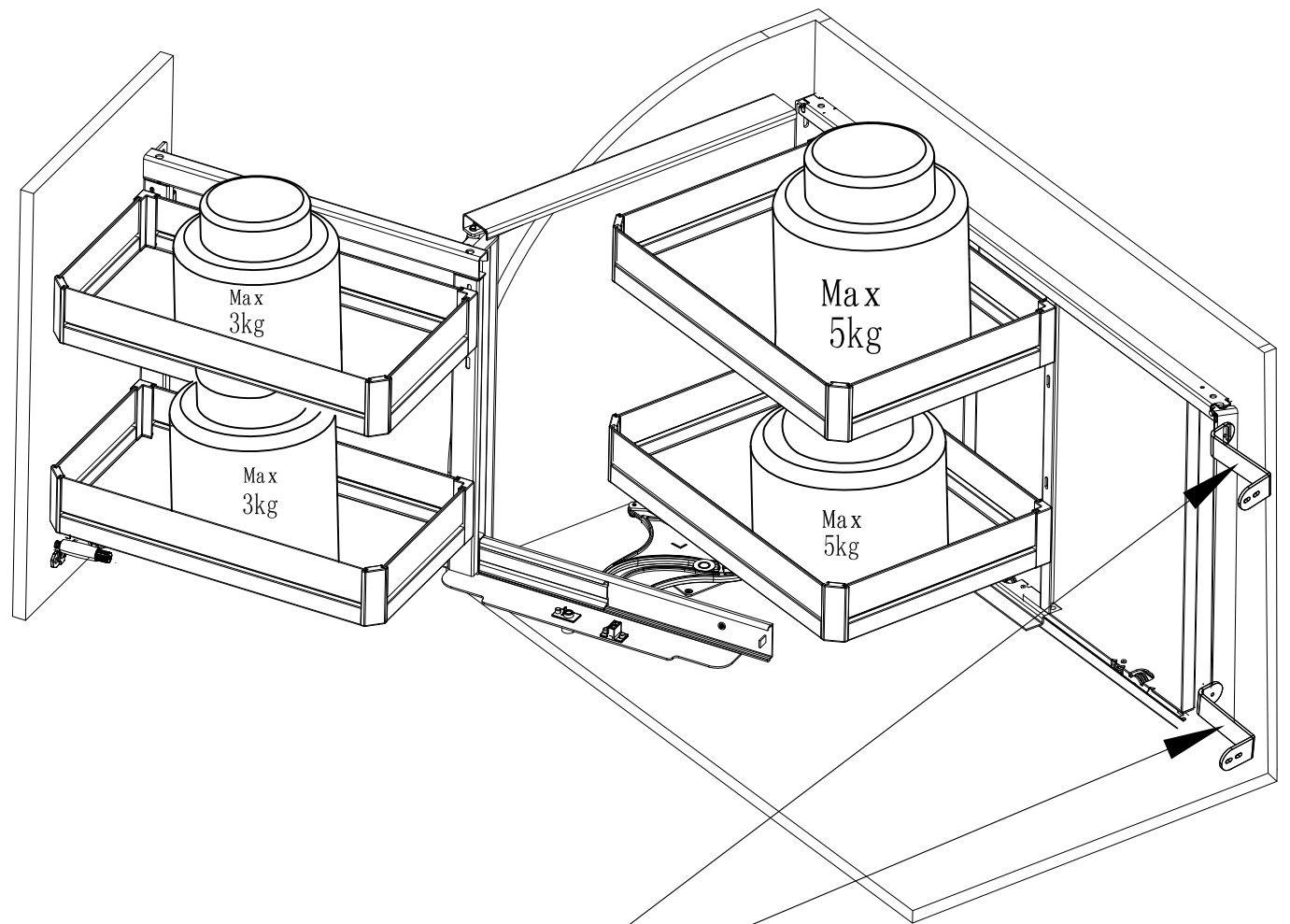


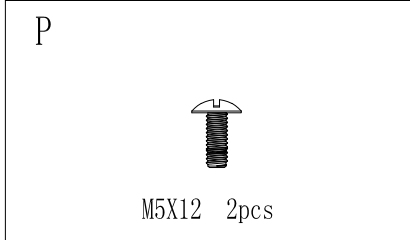
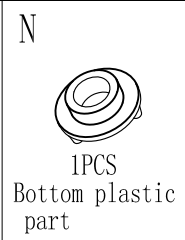
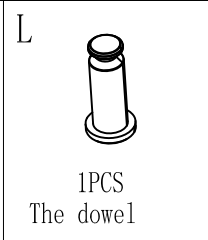
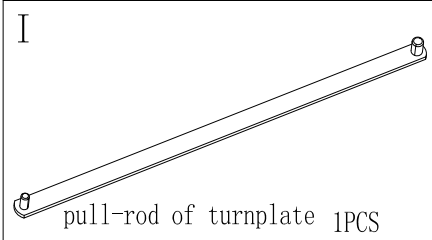
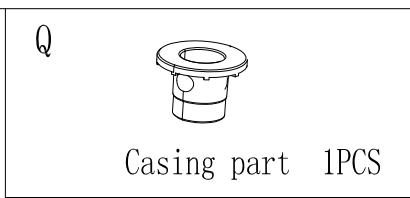
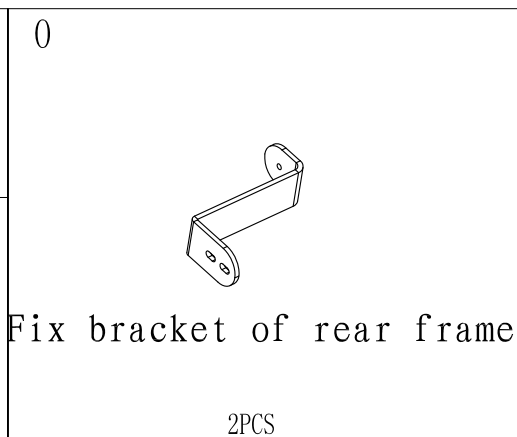
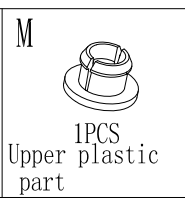
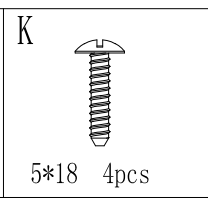
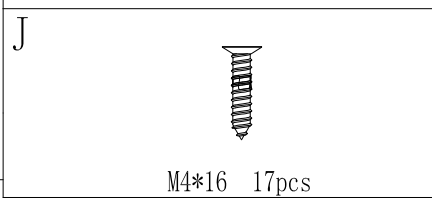
1 Magic Corner Assembly Instruction



Below is left open

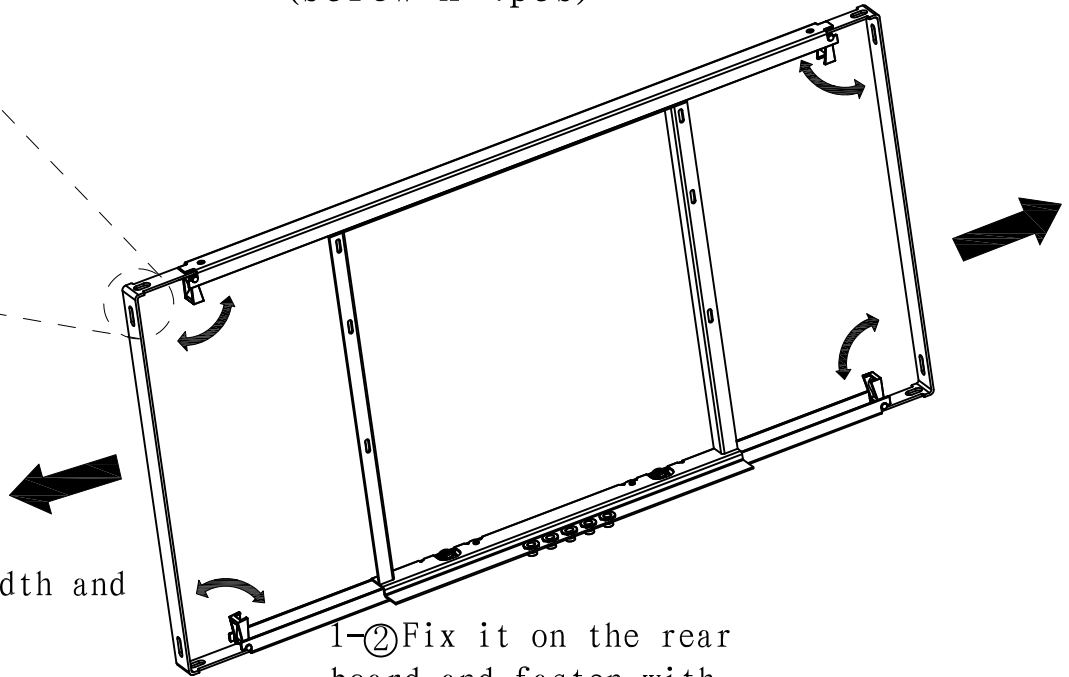
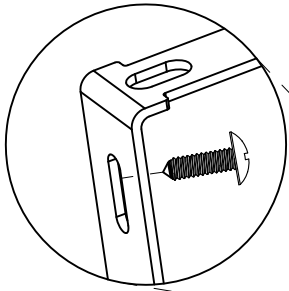


If cabinet width > 1000mm, need part "O"
(screw "P" 2PCS)



2

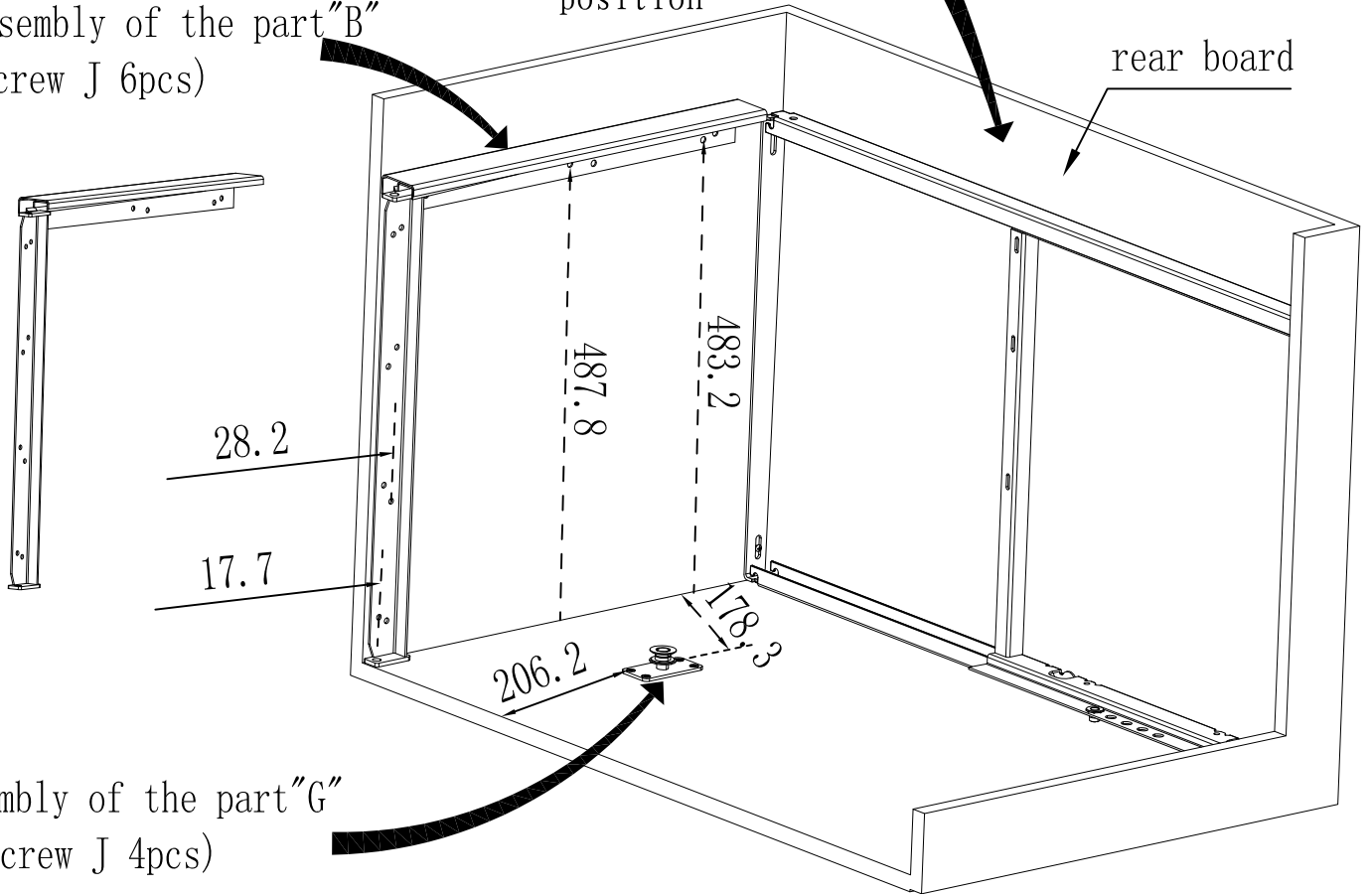
1. Assembly of rear frame
(screw K 4pcs)



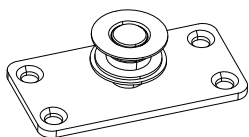
1-① Adjust the width and fasten

1-② Fix it on the rear board and fasten with screw in the right position

2. Assembly of the part "B"
(screw J 6pcs)



3. Assembly of the part "G"
(screw J 4pcs)



Drill screw holes according to the paper pattern, assembly of the parts following the screw holes correctly

Finished drawing

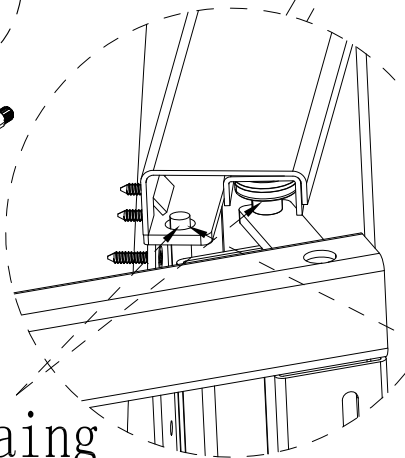
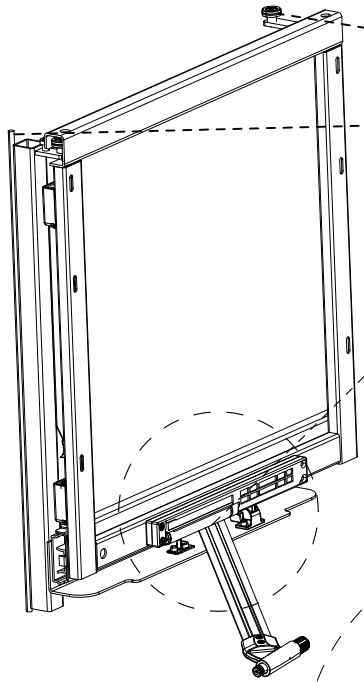
3

4. Assemble part D
loose the screw on the right
position and fix part D with it
there as drawing

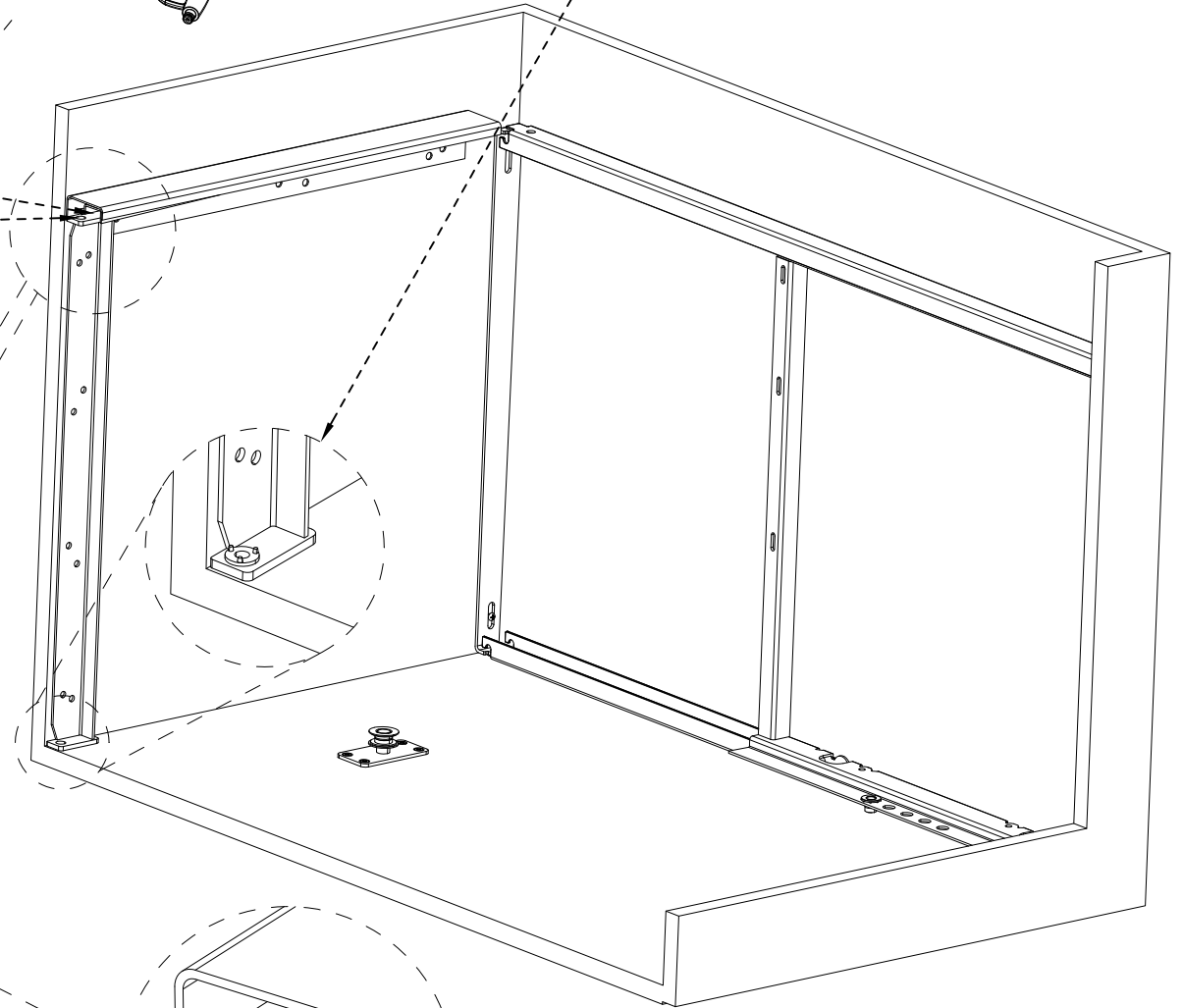
5-① Put the "N" into "B"

5. Assembly of part "E"

5-② put the "E" into "B"

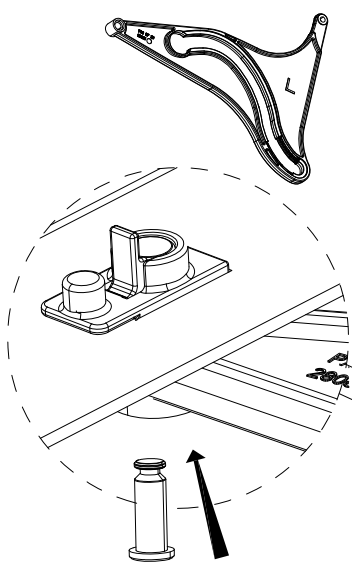


Finished drawing



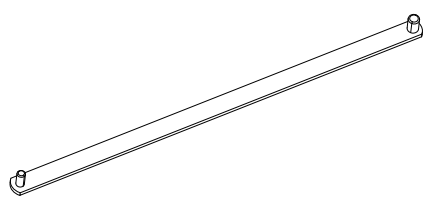
6. Assembly of part "F"

5-③ put the "M" into "B"

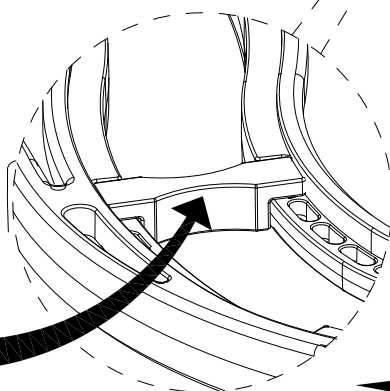


connected by the dowel (L)

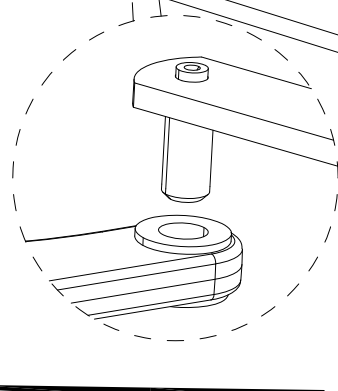
7. Assembly of pull rod (I)



Adjust the opening angle
of the door, then clip
the plastic part on the
suitable position

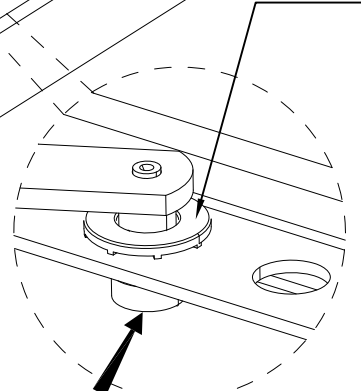


Finished drawing



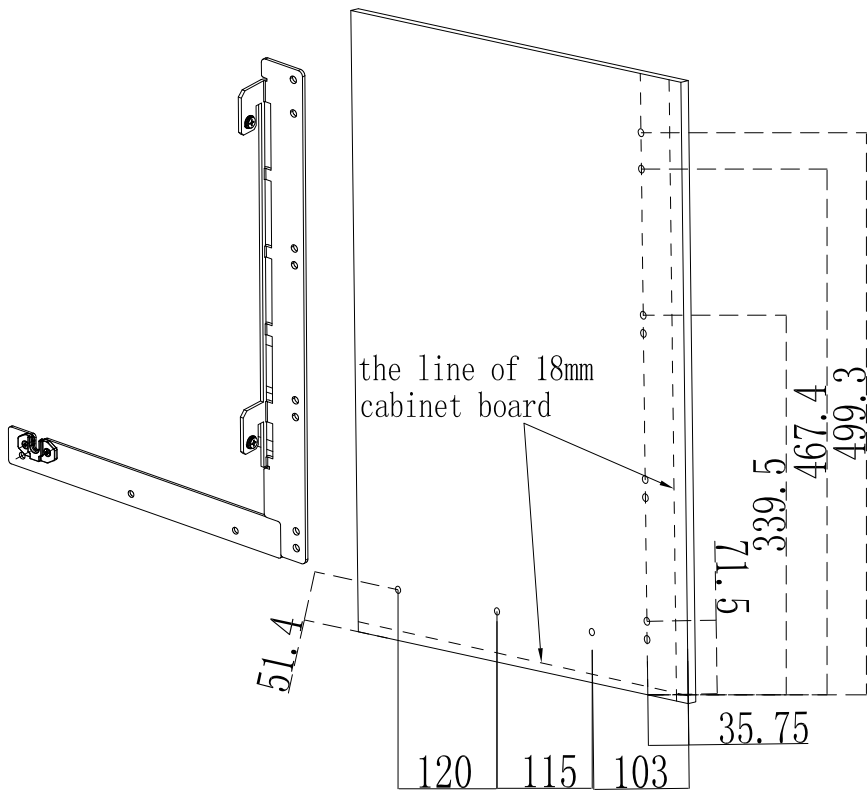
different hole position
controls opening angle

(Q) Casing part

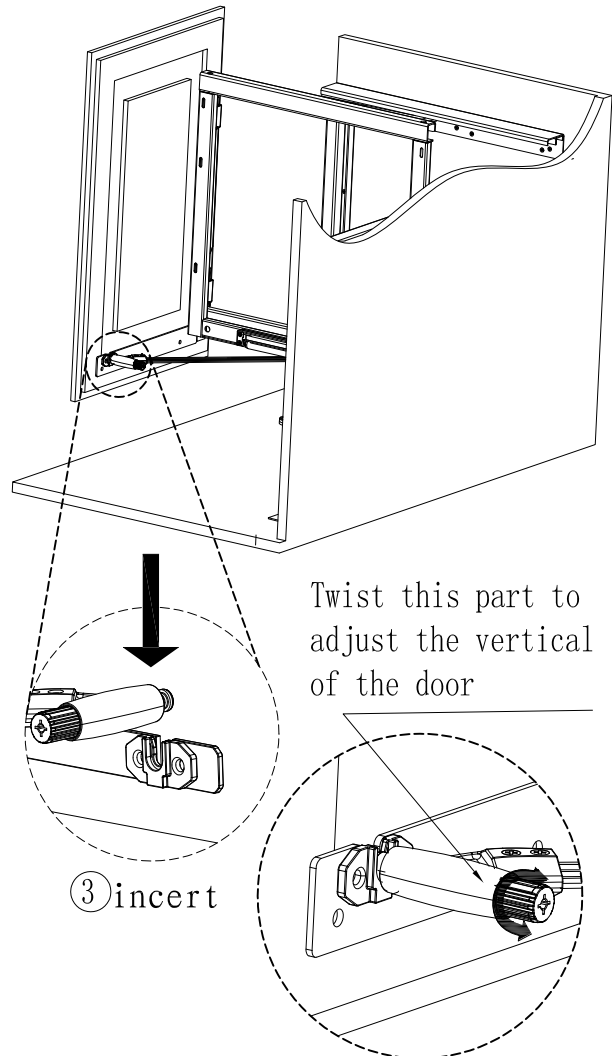


4

8. Assembly of the part "C" (screw "J" 7PCS)

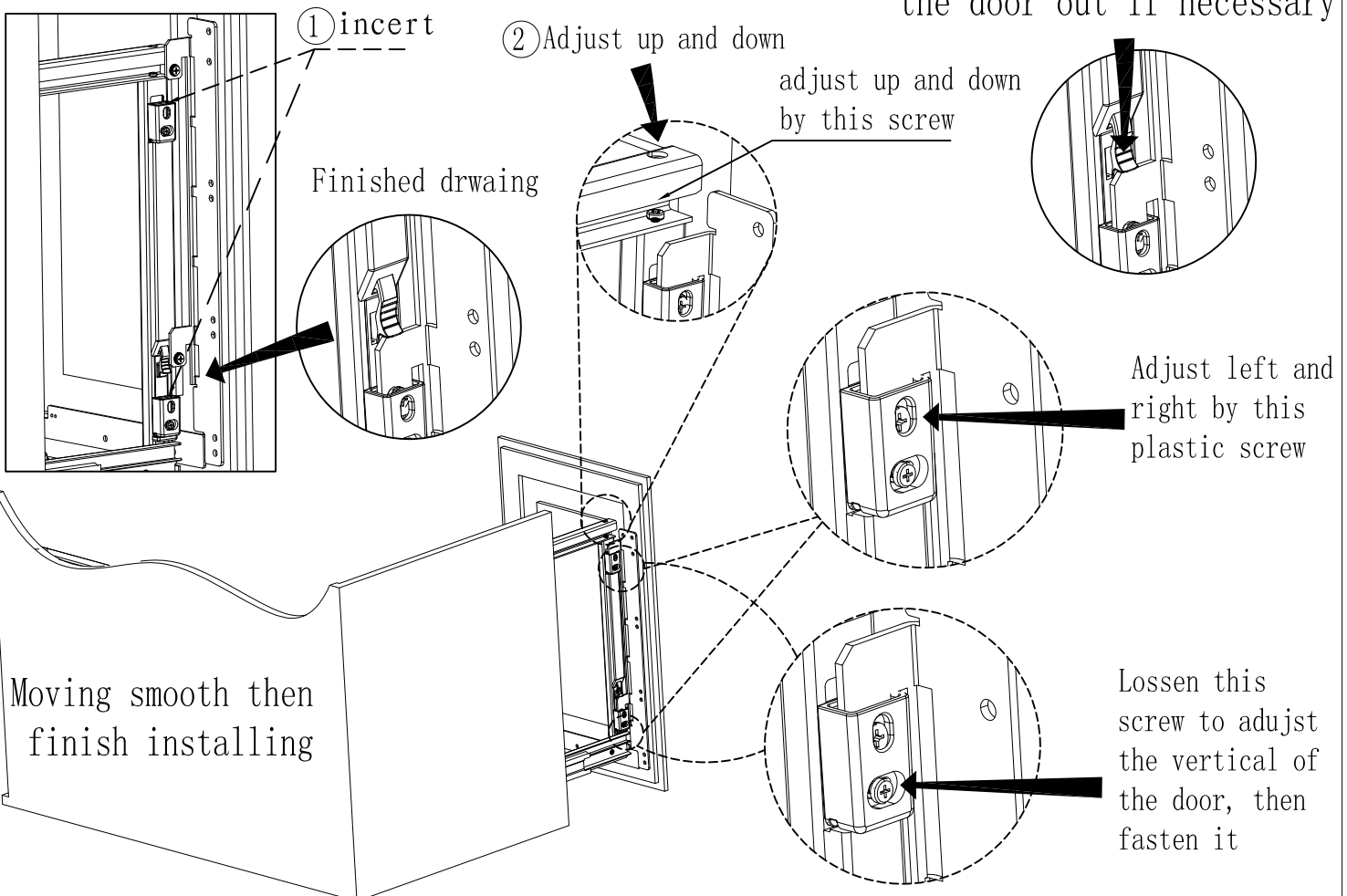


Following the paper pattern to assemble



9. Adjust the cabinet door

press this part to take the door out if necessary



10. Moving smooth then finish installing