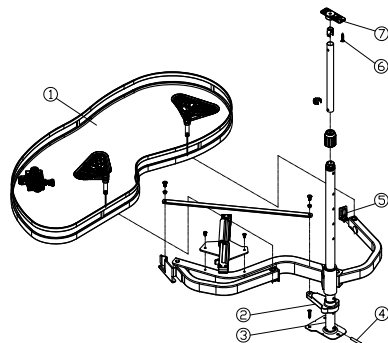
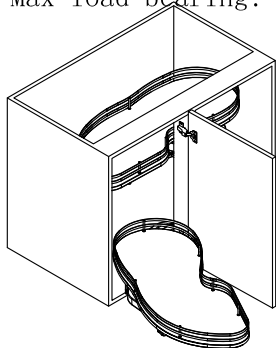


INSTALLATION INSTRUCTION

MAGIC CORNER (left open)

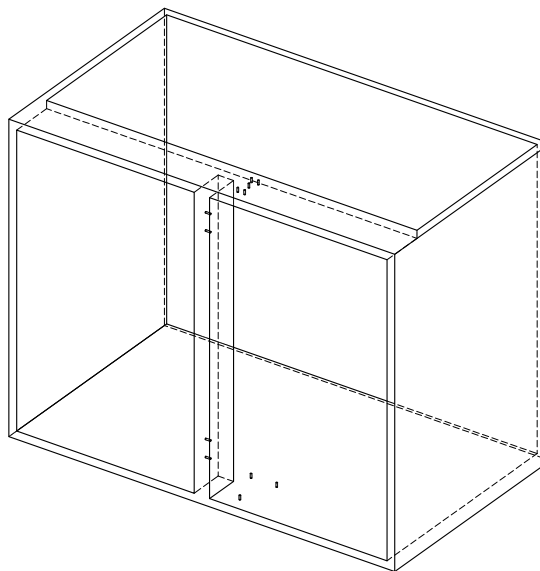
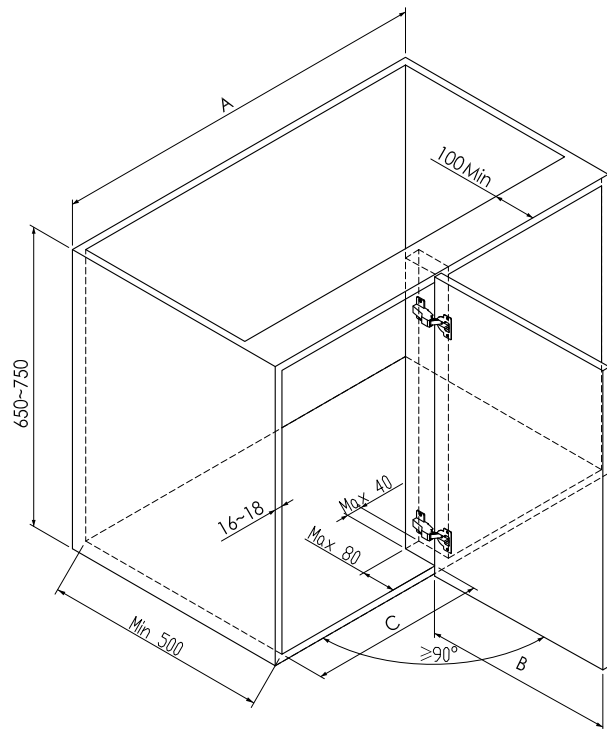
- 1, Read instruction before installation
- 2, applicative width 900/1000mm
applicative depth 500-550mm
- 3, Max load bearing: 10kg/shelf



Components

①	②	③	④ $\phi 6*38$
2 set	2 set	1 set	2 pcs
⑤	⑥ ST4×16	⑦	⑧
4 pcs	8 pcs	1 pcs	1 pcs

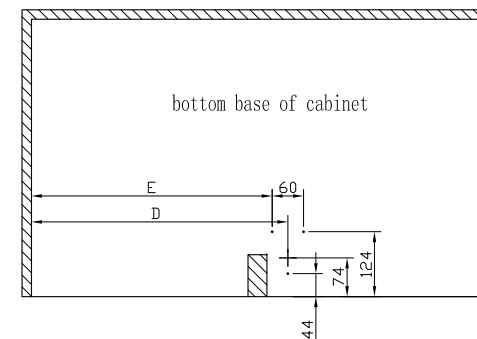
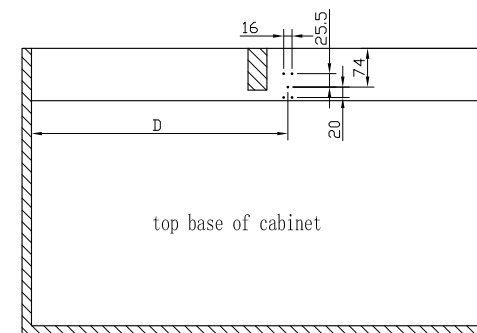
Key dimensions



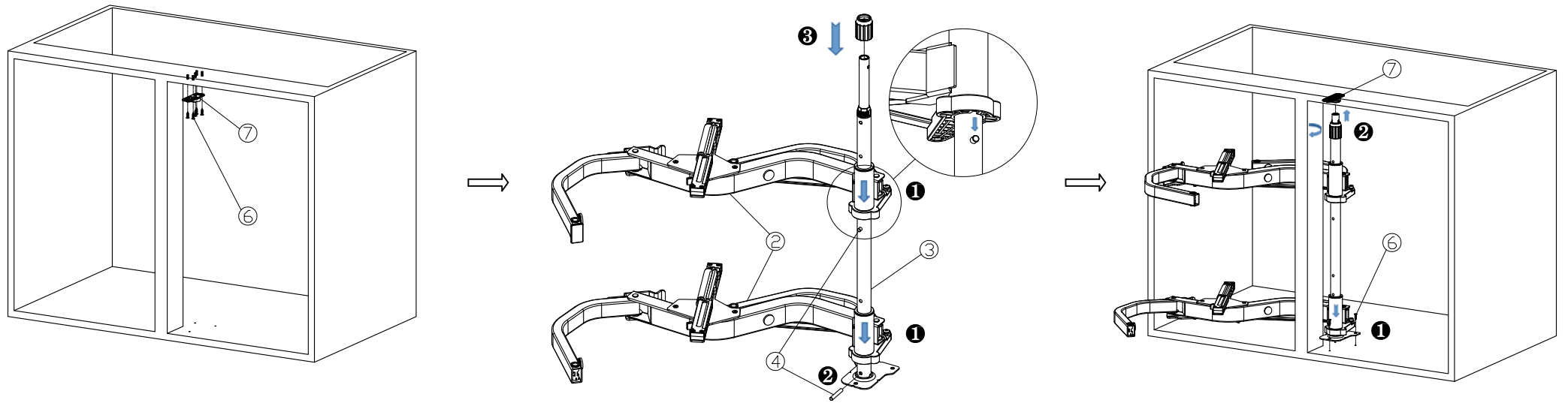
A	B	C	D	E
900	450	412~418	490	460
1000	500	462~468	540	510

INSTALLATION STEPS

1. Position screw holes according to paper model ⑧

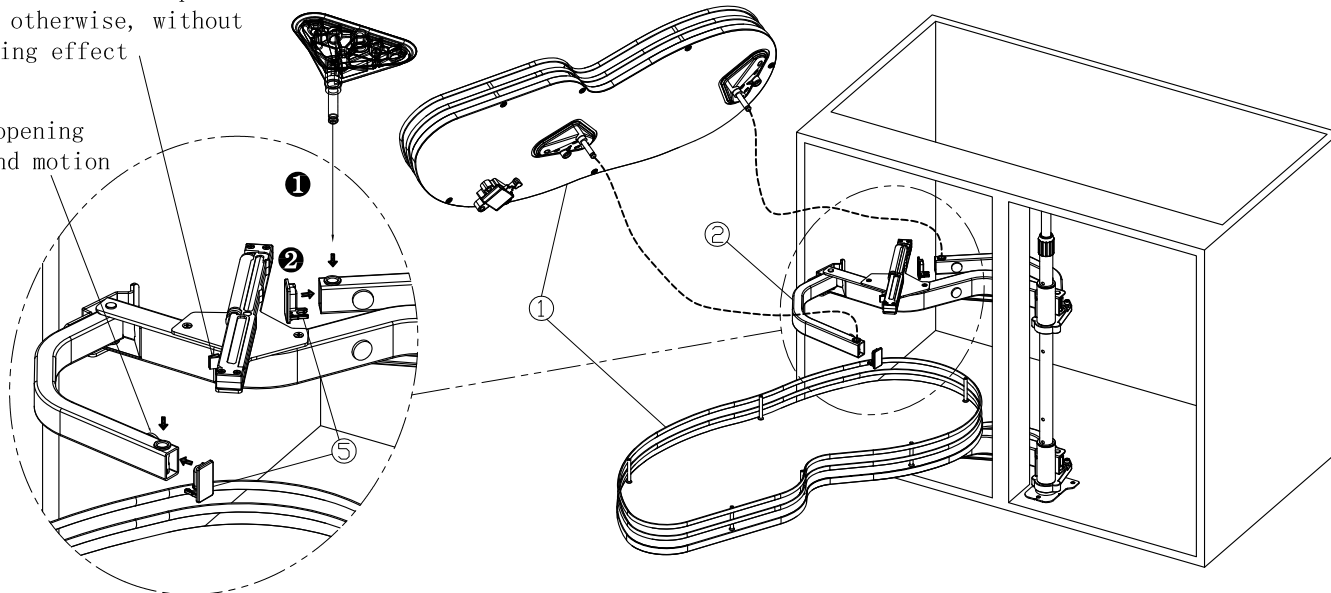


fix part ⑦ on top base with screw ⑥



Note:
slider should be on pull-out
state, otherwise, without
buffering effect

Note:
adjust opening
angle and motion
trail



finish state

