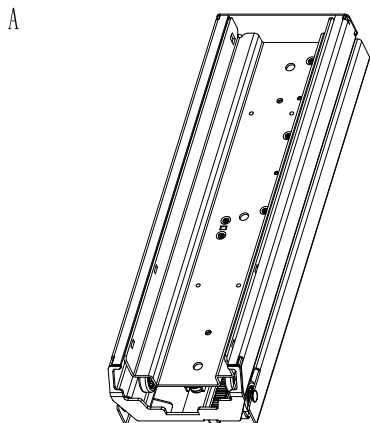
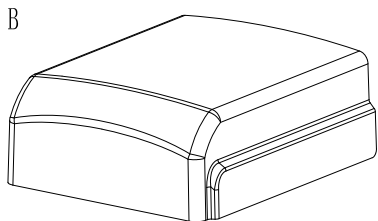


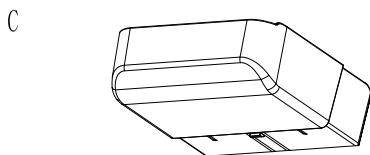
## Components:



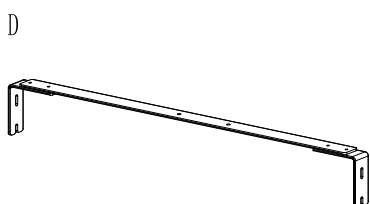
slide 1set



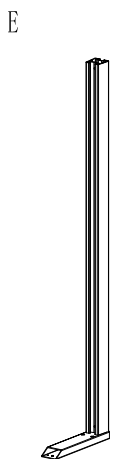
bottom plastic cover 1set



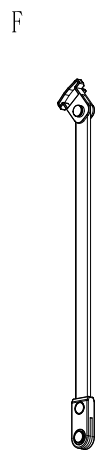
upper plastic cover 1set



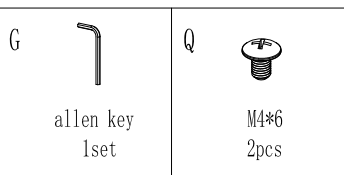
upper U shaped part 1set



pillar 1set

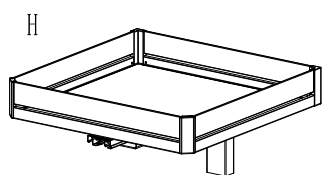


door connective part 2pcs



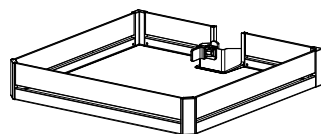
allen key 1set

M4\*6 2pcs

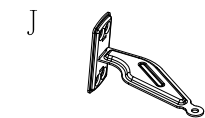


top basket with slide  
(The bottom plate shall be affixed with anti-slip mat with diamond grain)  
1pcs

Layer Basket	QTY
4	3pcs
5	4pcs



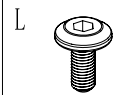
basket (The bottom plate shall be affixed with anti-slip mat with diamond grain)



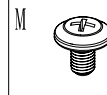
connective bracket 2pcs



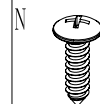
rotative connective part 2pcs



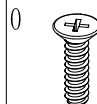
M5\*12 (hex socket head) 4pcs



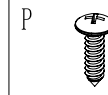
M5\*6 (hex socket head) 4pcs



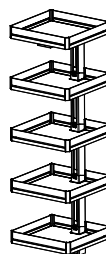
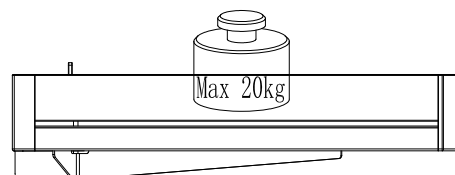
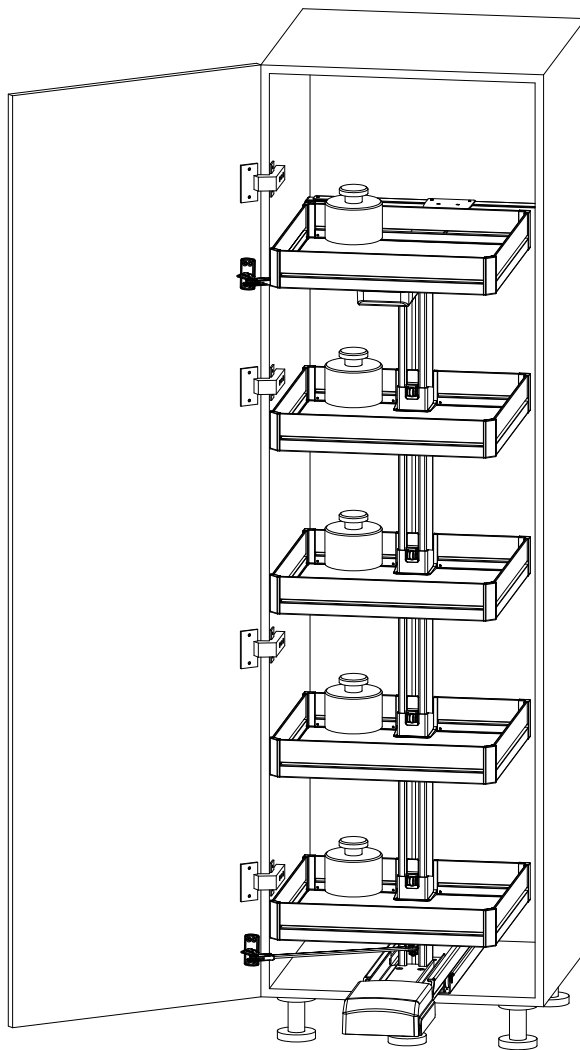
M5\*18 (mushroom head) 6pcs



M5\*18 (sunk head) 8pcs

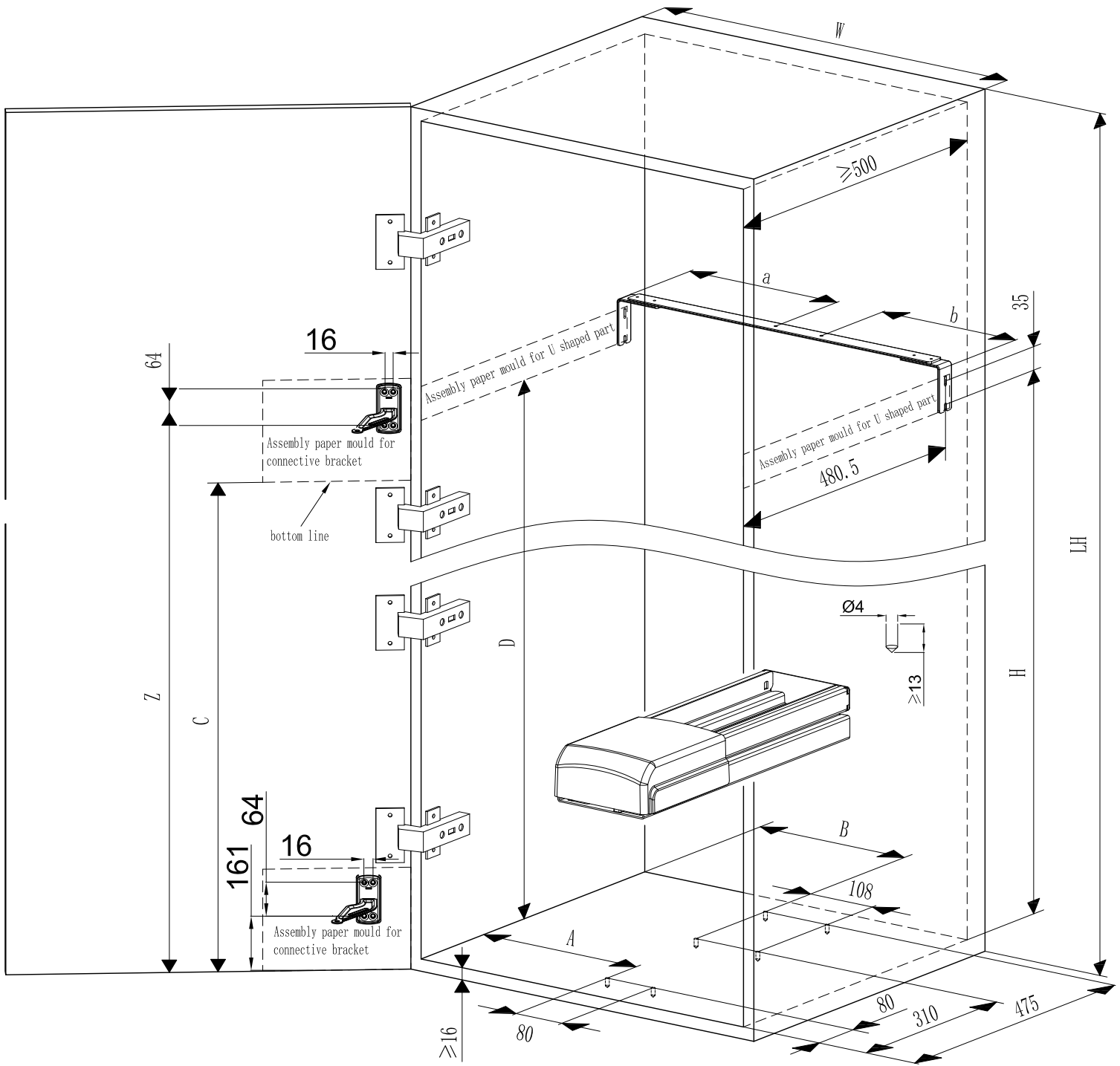
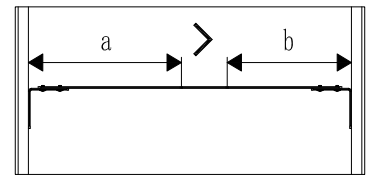


M4\*16 (mush room head) 4pcs



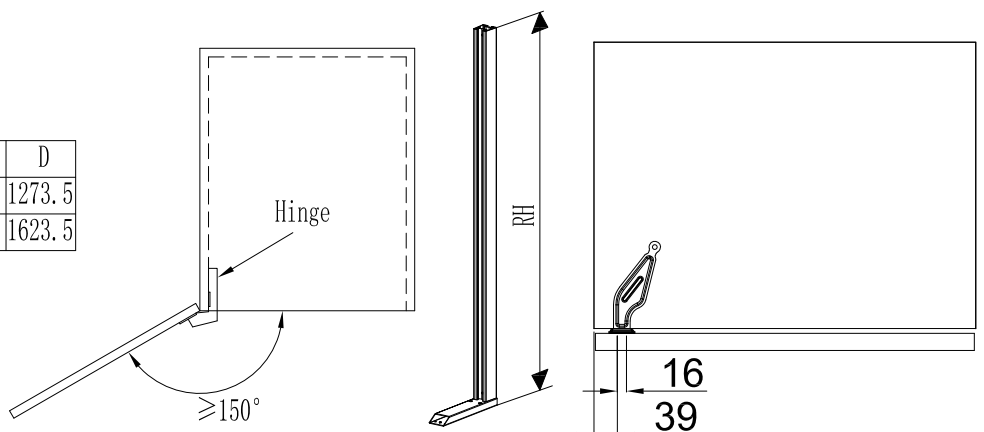
$$+ \text{ } = \Sigma = \text{Max 130kg}$$

ps: unit:mm



Cabinet width	A	B
450	192	178
600	267	253

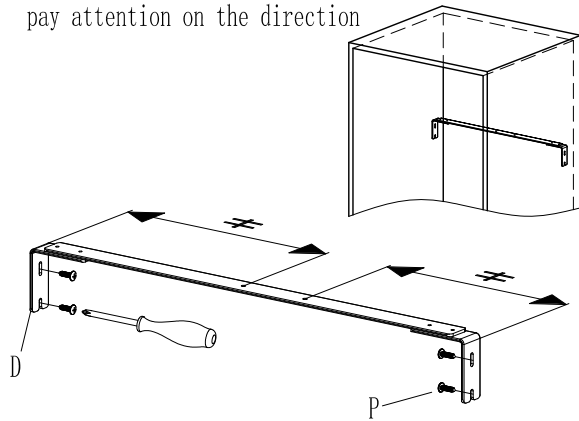
layer	Cabinet height	RH	H	Z	C	D
4	≥1650	1280	1281	1291	1130	1273.5
5	≥2000	1630	1631	1641	1480	1623.5



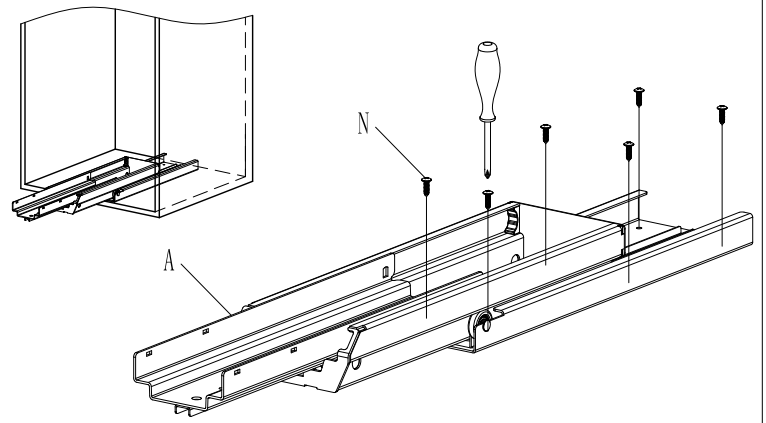


# Installation steps

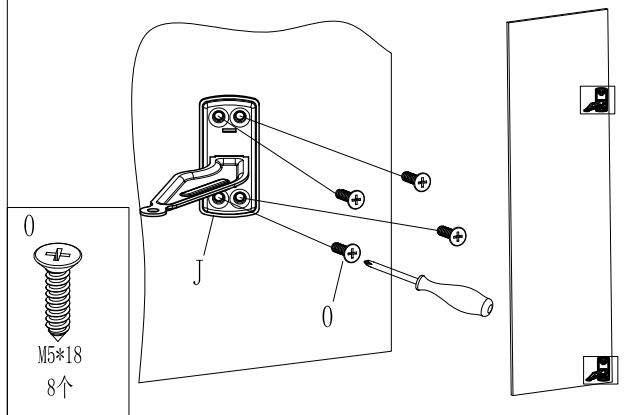
1. install U shaped part  
pay attention on the direction



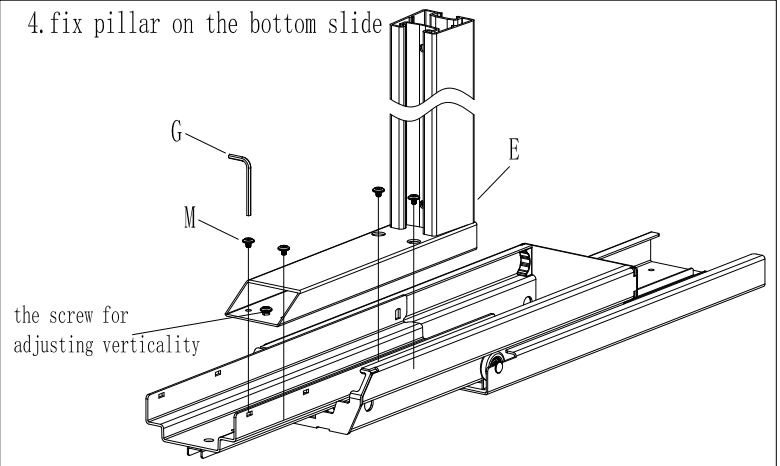
2. assemble bottom slide



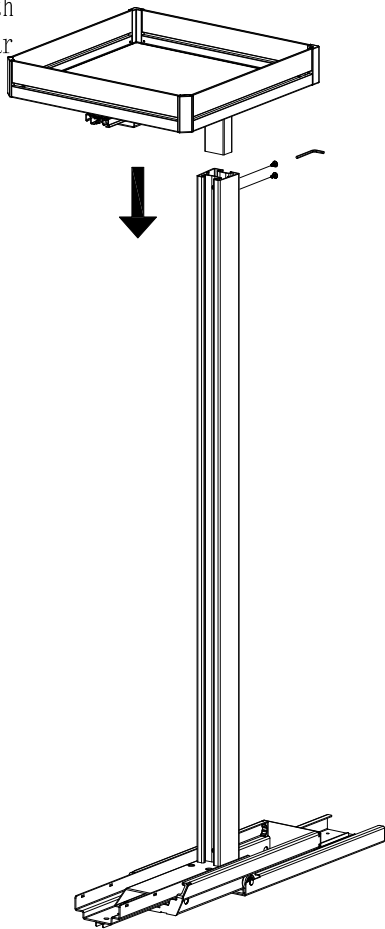
3. fix connective bracket of the door



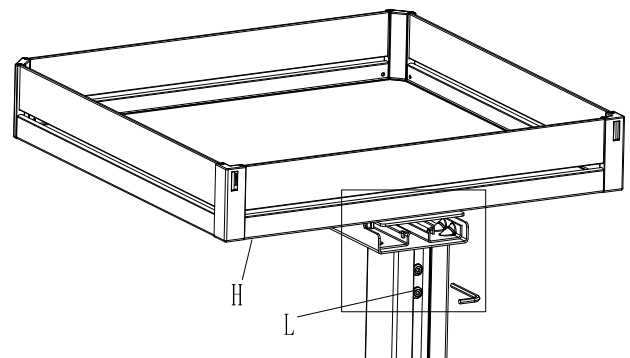
4. fix pillar on the bottom slide



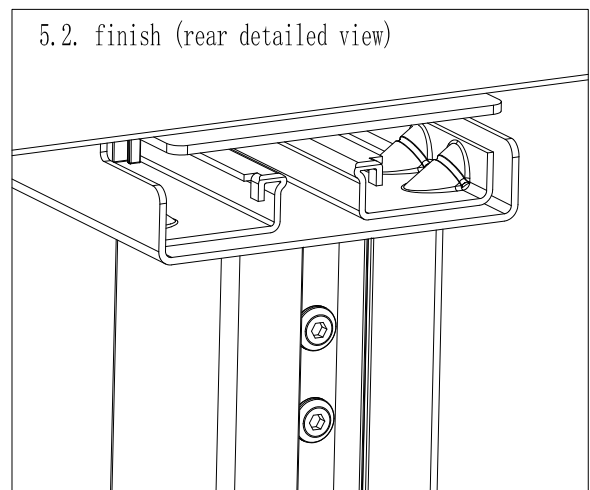
5. fix top basket with  
slide onto the pillar



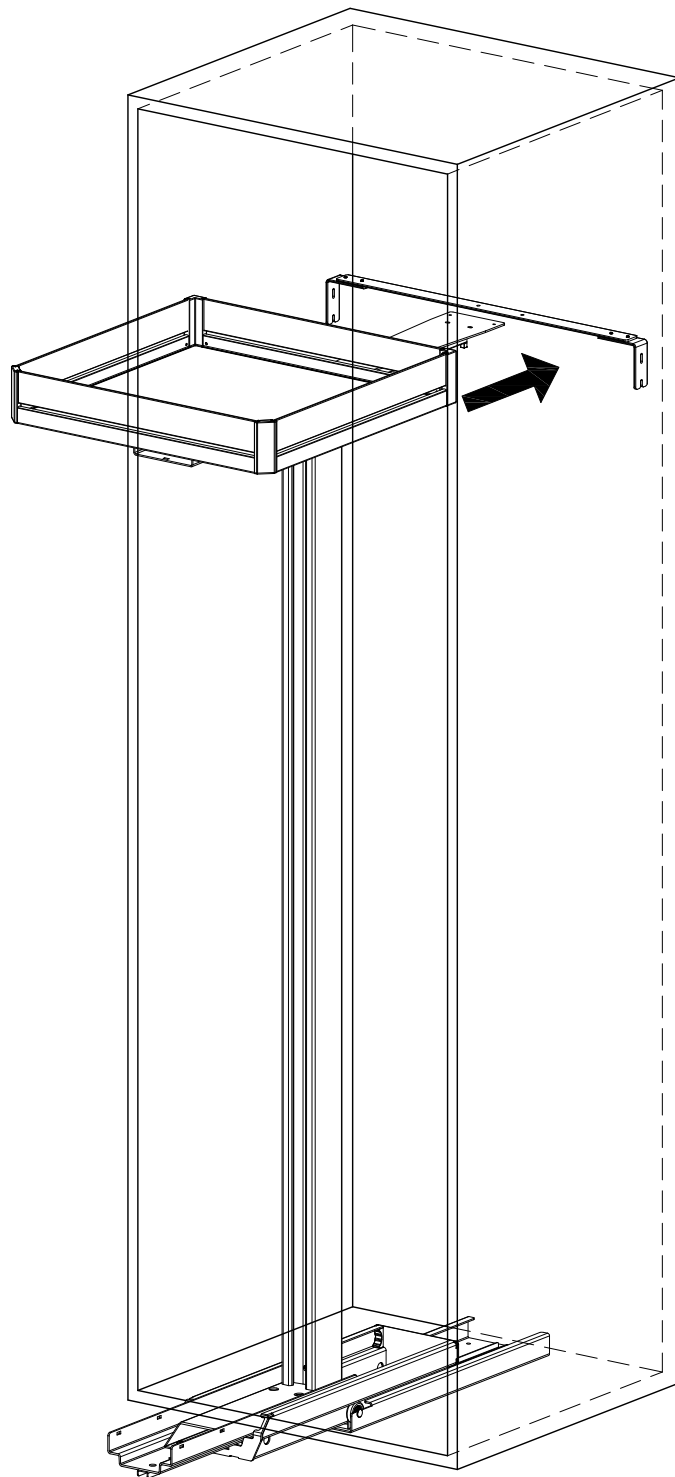
5.1. tighten up the screw L with allen key



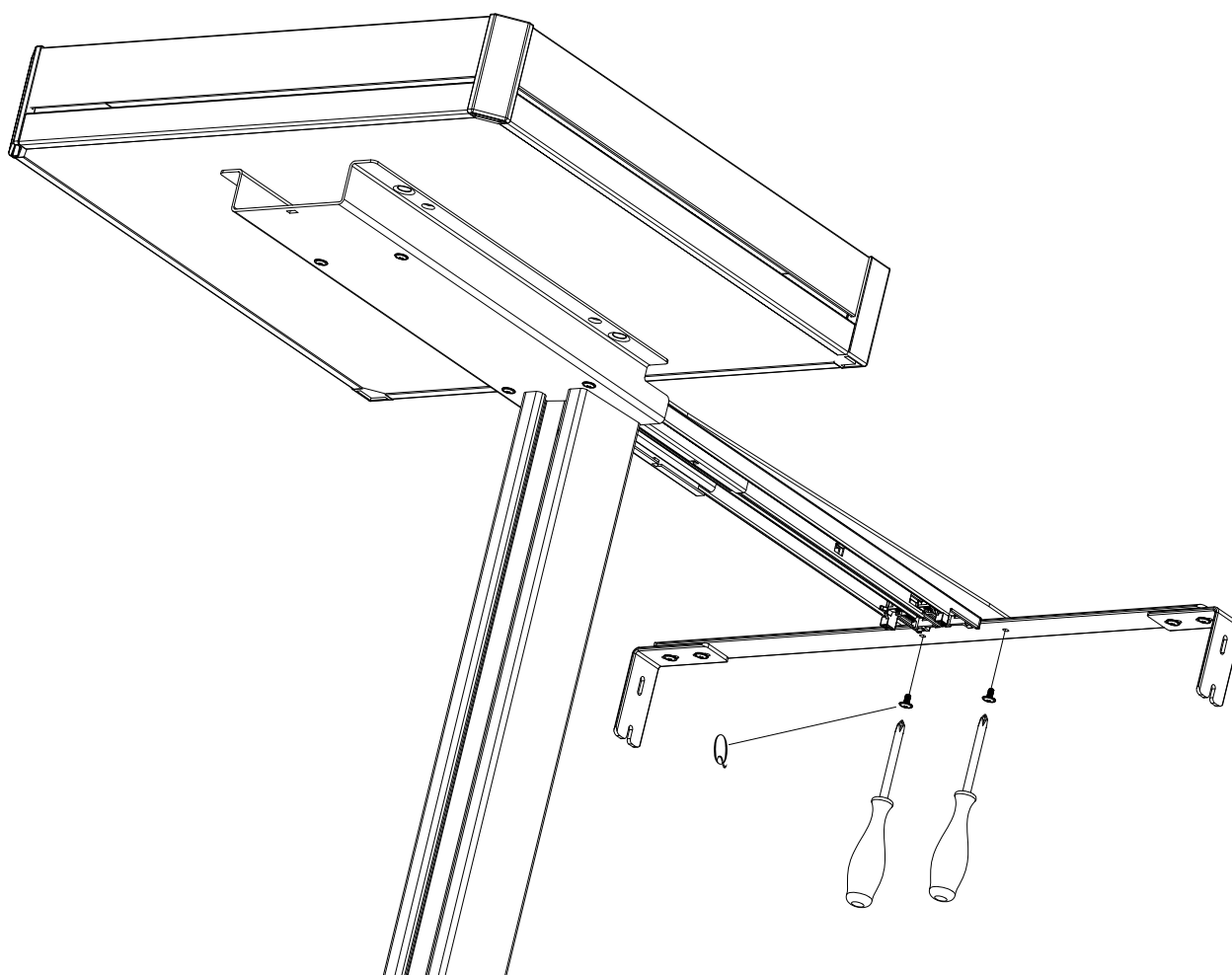
5.2. finish (rear detailed view)



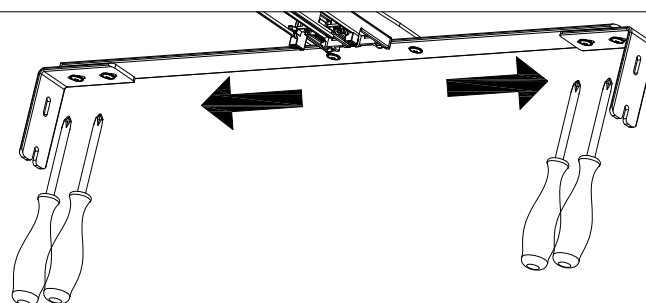
6. fix upper slide on to U shaped part



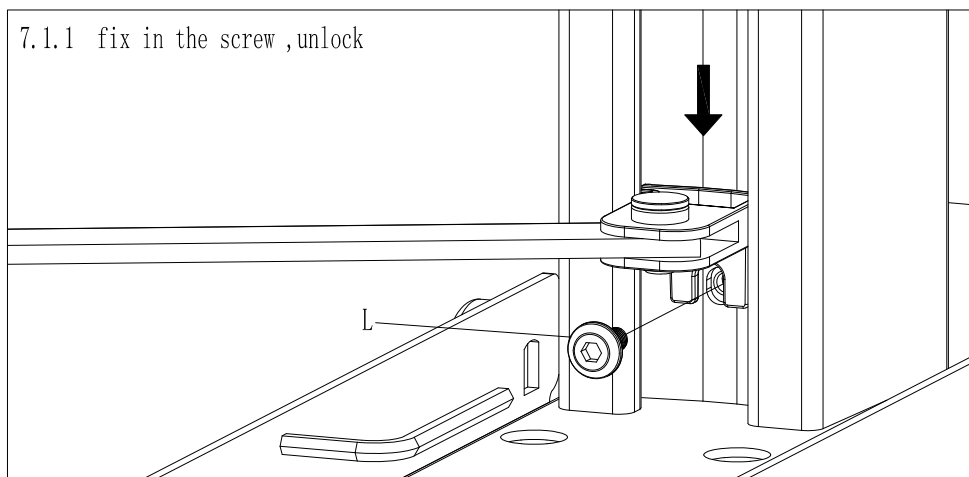
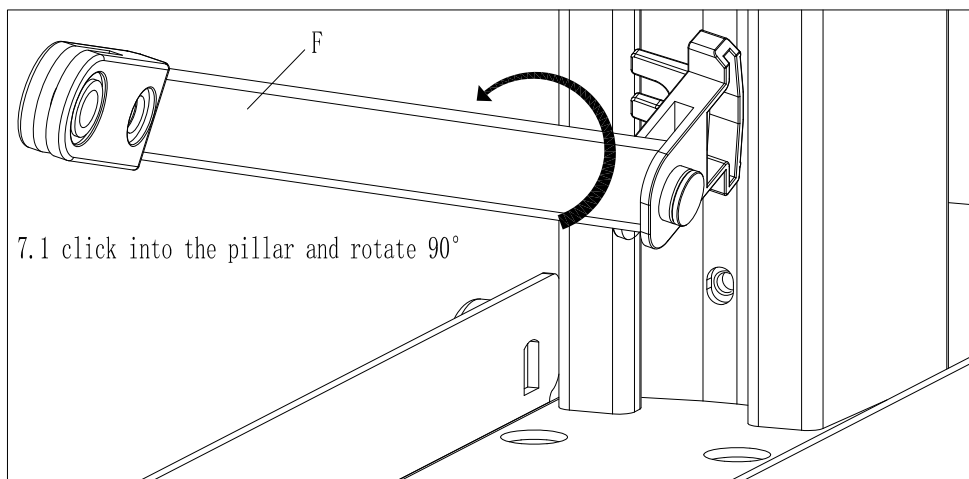
6.1 Tighten up screw Q



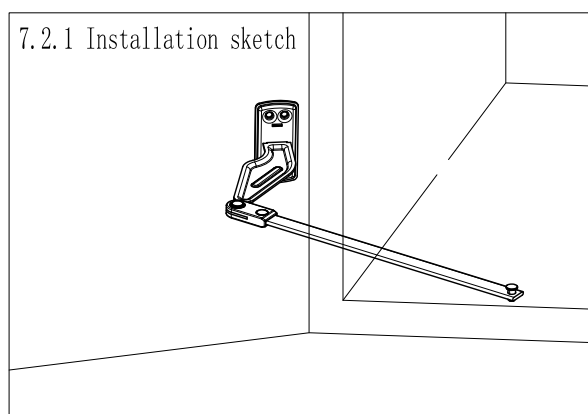
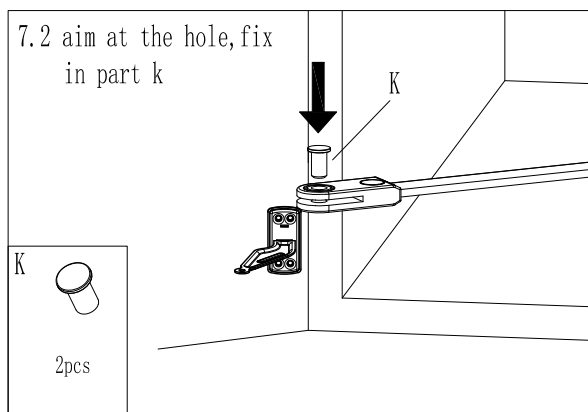
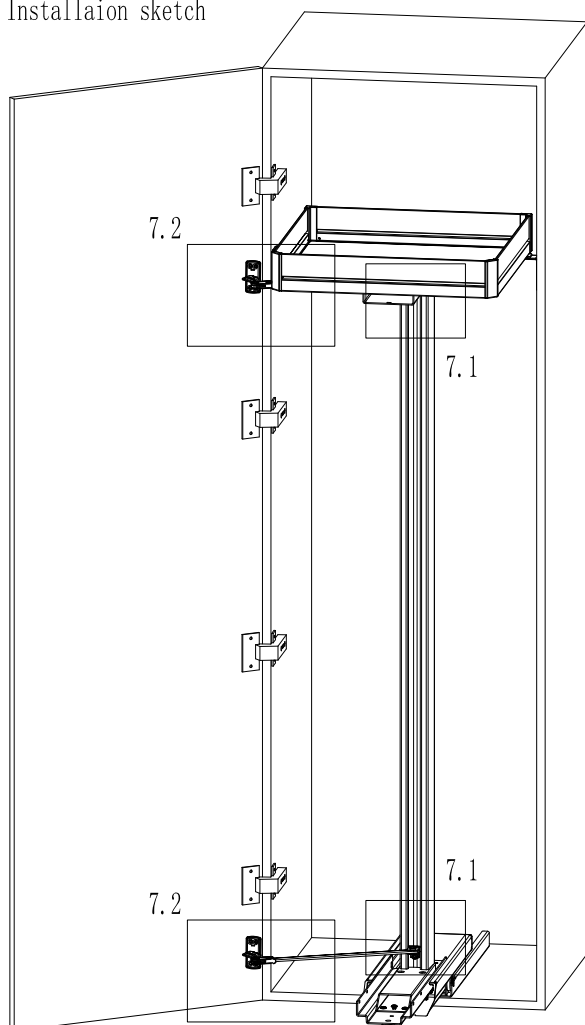
6.2. adjust horizontal position and make sure balance and tighten up all 4 screws



## 7. Assembly of door connective part

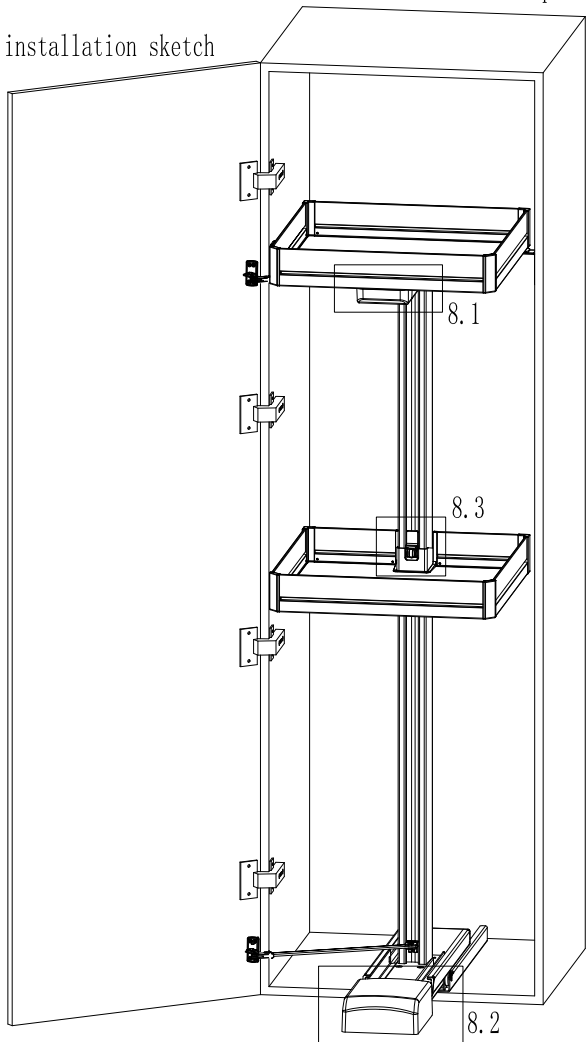


## Installaion sketch

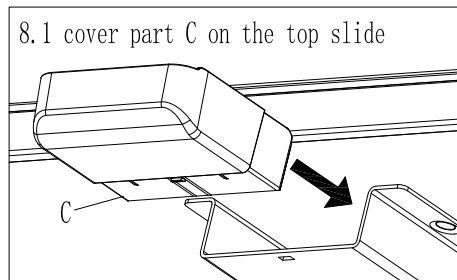


8. put on plastic cover and baskets

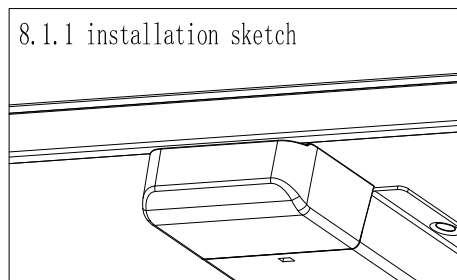
installation sketch



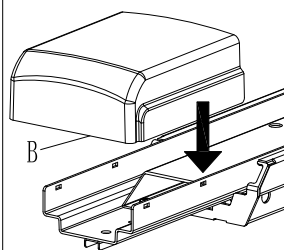
8.1 cover part C on the top slide



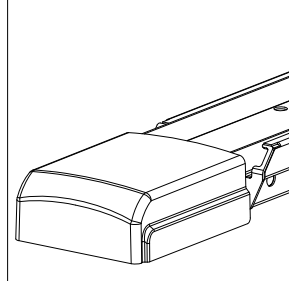
8.1.1 installation sketch



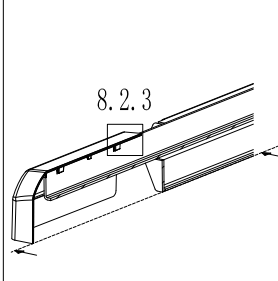
8.2 cover part B on the bottom slide



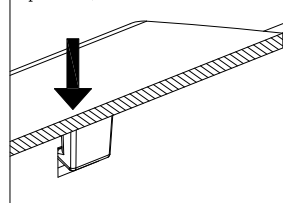
8.2.1 installation sketch



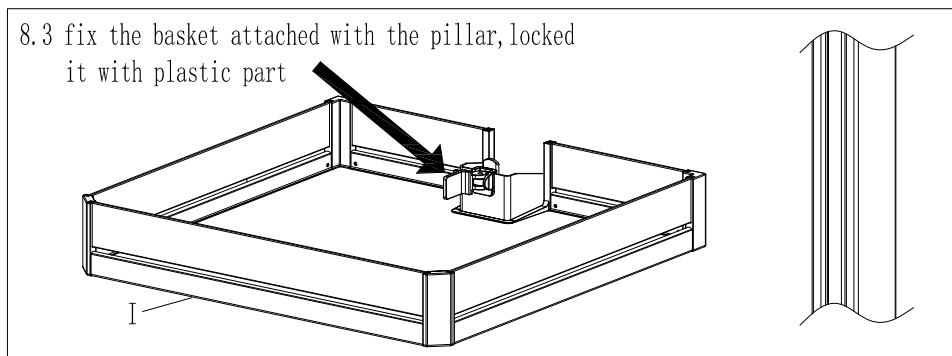
8.2.2 inside detailed view



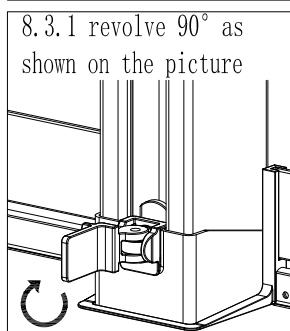
8.2.3 inside detailed view (plastic hook inside of part B)



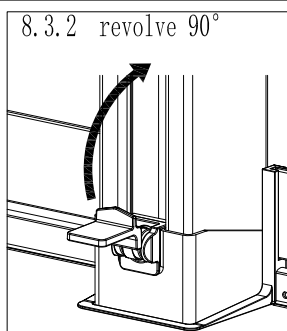
8.3 fix the basket attached with the pillar, locked it with plastic part



8.3.1 revolve 90° as shown on the picture



8.3.2 revolve 90°



8.3.3 finish

